

Wall-mounted Longlight 5-45°

TECHNISCHE FICHE

Wall-mounted Longlight 5-45°

Wall-mounted Longlights are bands of VELUX Modular Skylights mounted against a vertical wall. As the skylight modules are supplied with installation brackets and clamps, a fast and secure installation is guaranteed. The flashing allows for configurations with a pitch of 5° to 45°.

Wall-mounted Longlights are mounted on a standard steel profile, 100 mm wide at the wall. At the bottom, you can choose to mount the skylights on either a steel profile using the clamping system or directly onto a wooden batten without using the clamps. The steel profiles and wooden battens are not VELUX components. Please observe a max. 3 m wall height above skylight module.

Download
CAD & BIM
objects



Sub-construction for
Wall-mounted Longlight at:
veluxcommercial.com

Use the table to define module height (H) and/or installation pitch (α).

Example:

A = 1700 mm

Result:

$\alpha 1$: H = 1600 mm at an installation pitch of 20°

or

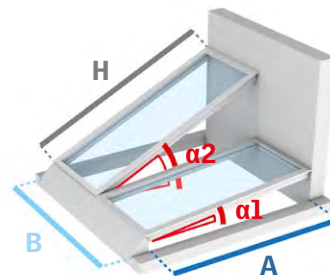
$\alpha 2$: H = 1800 mm at an installation pitch of 31°

or

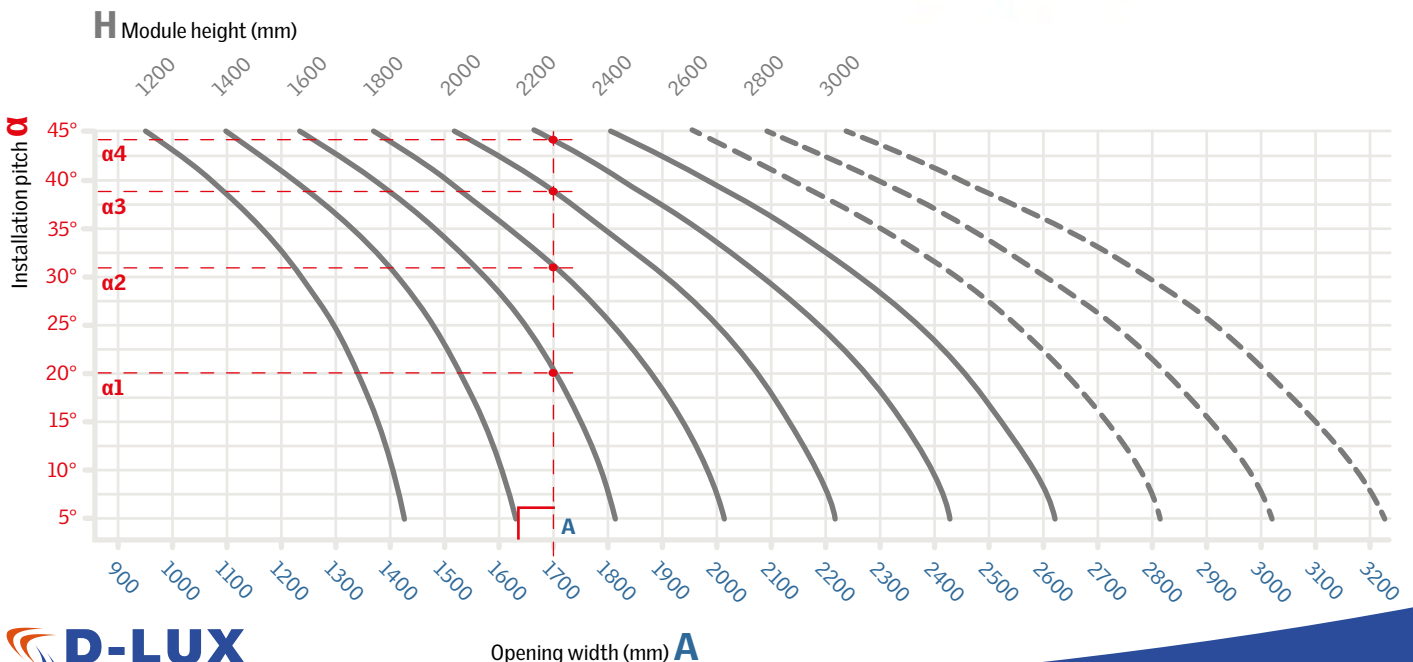
$\alpha 3$: H = 2000 mm at an installation pitch of 39°

or

$\alpha 4$: H = 2200 mm at an installation pitch of 44°



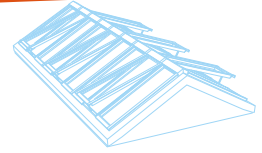
H: Module height
 α : Installation pitch
A: Opening width
B: Opening length



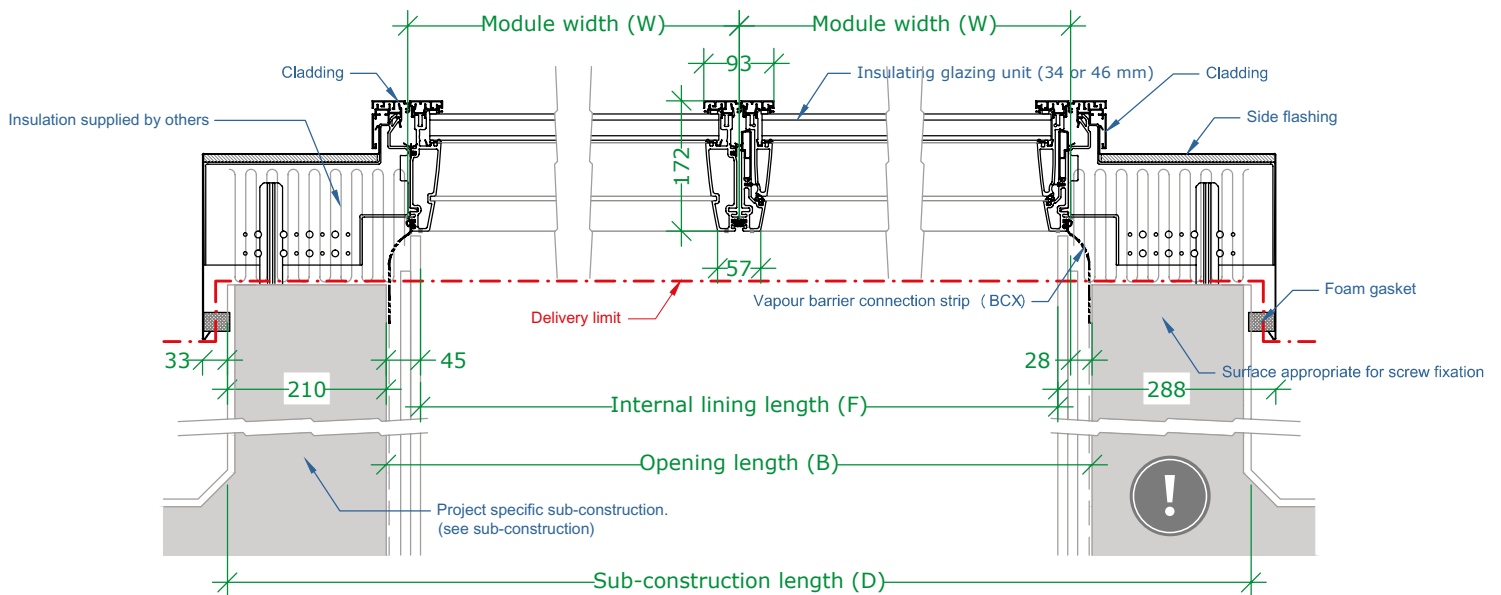
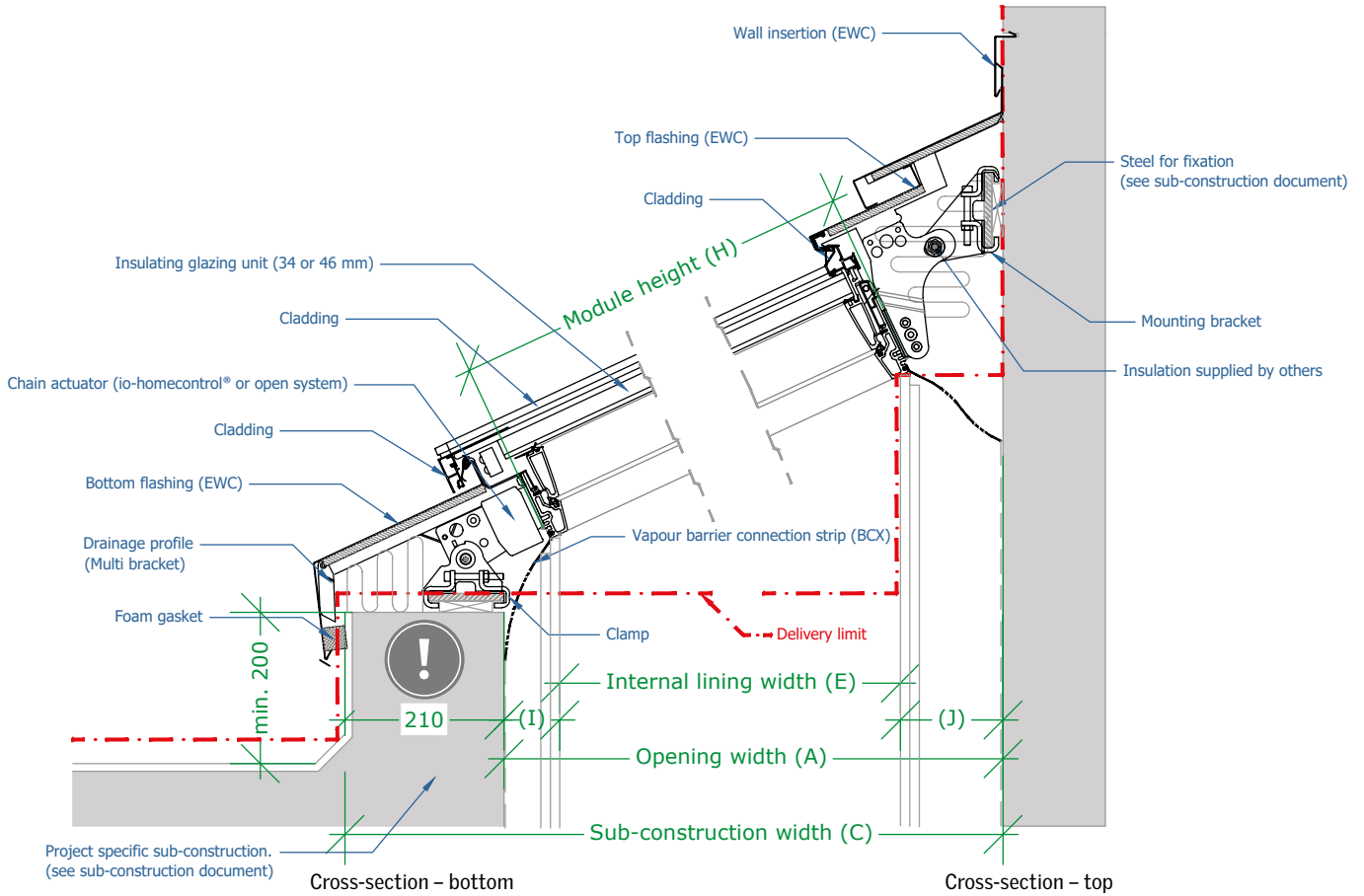
Wall-mounted Longlight 5-45°

TECHNISCHE FICHE

Solutions



Sectional drawings



Longitudinal section

Please observe that a lateral slope on the modules is NOT possible, therefore top and bottom sub-construction must be horizontal.