

Ridgelight 25-40°

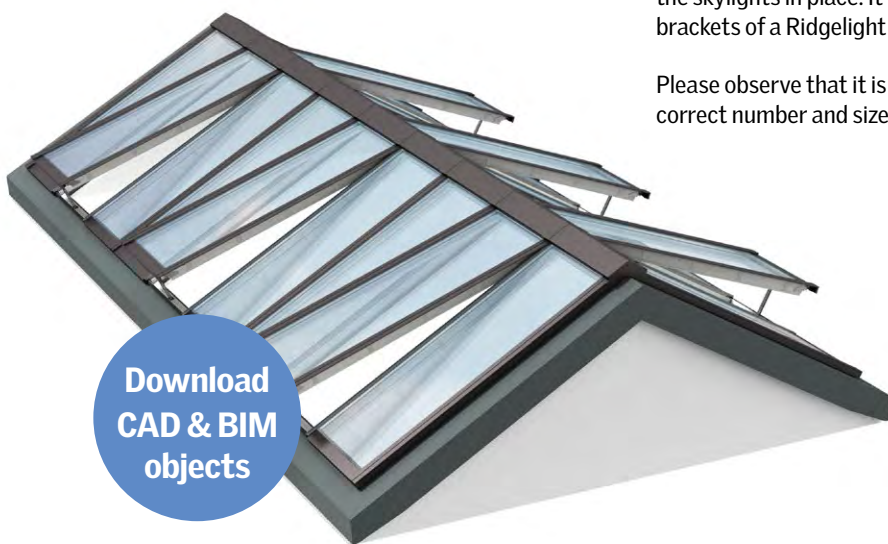
TECHNISCHE FICHE

Ridgelight 25-40°

Ridgelight is a classic solution, consisting of two rows of skylights linked together at the ridge, creating a self-supporting structure. The flashing allows for installations with a pitch of 25 to 40°.

Due to horizontal forces, it is recommended to use a sub-construction of steel or concrete when mounting a Ridgelight. Ridgelights are mounted on a standard steel profile, 100 mm wide (not a VELUX component). The brackets are fixed with a clamping system holding the skylights in place. It is not recommended to fasten the mounting brackets of a Ridgelight directly onto a wooden batten with screws.

Please observe that it is the designers responsibility to calculate the correct number and size of fixing if a wooden batten is used.



Download
CAD & BIM
objects

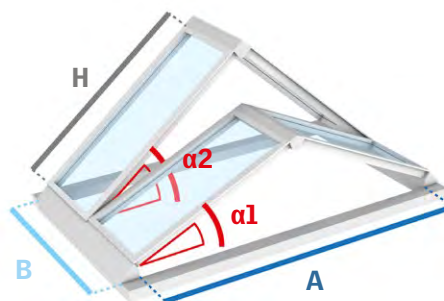


Sub-construction
for Ridgelight at:
veluxcommercial.com

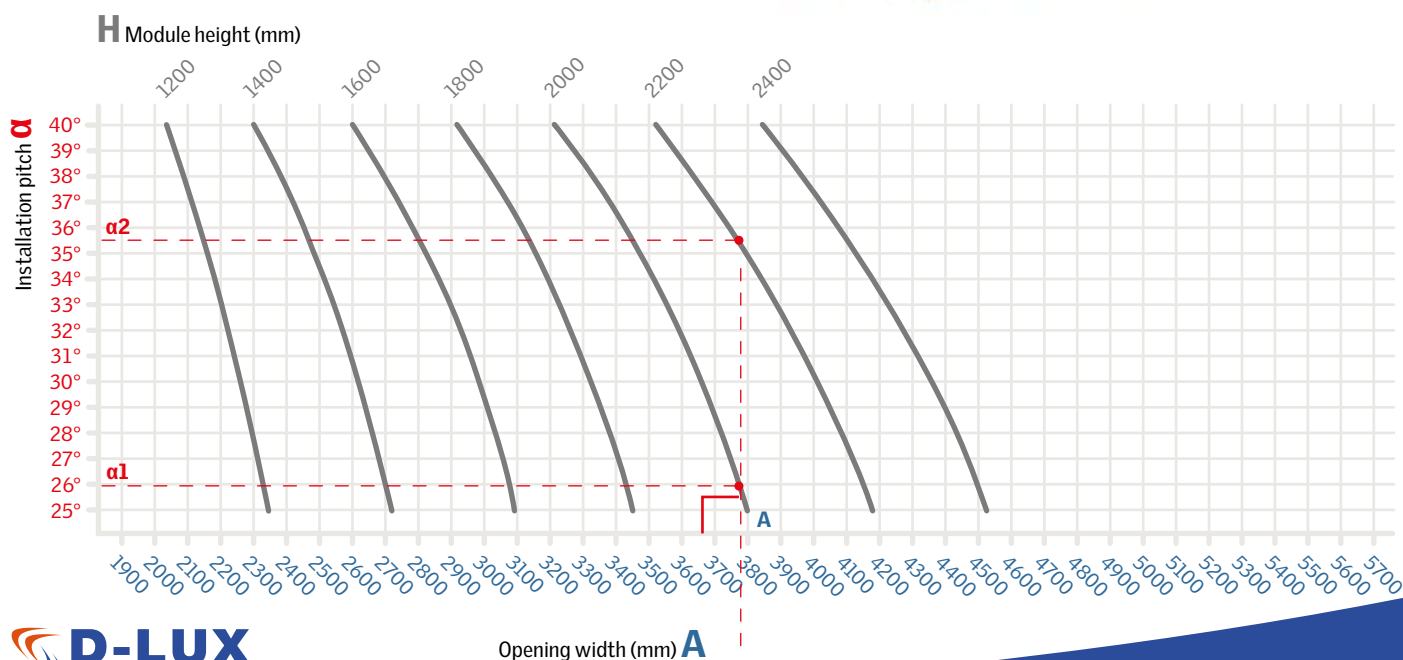
Use the table to define module height (H) and/or installation pitch (α).

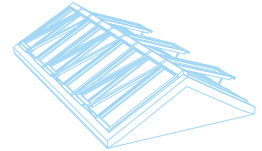
Example:
A = 3775 mm

Result:
 $\alpha 1$: H = 2000 mm at an installation pitch of 26°
or
 $\alpha 2$: H = 2200 mm at an installation pitch of 35.5°

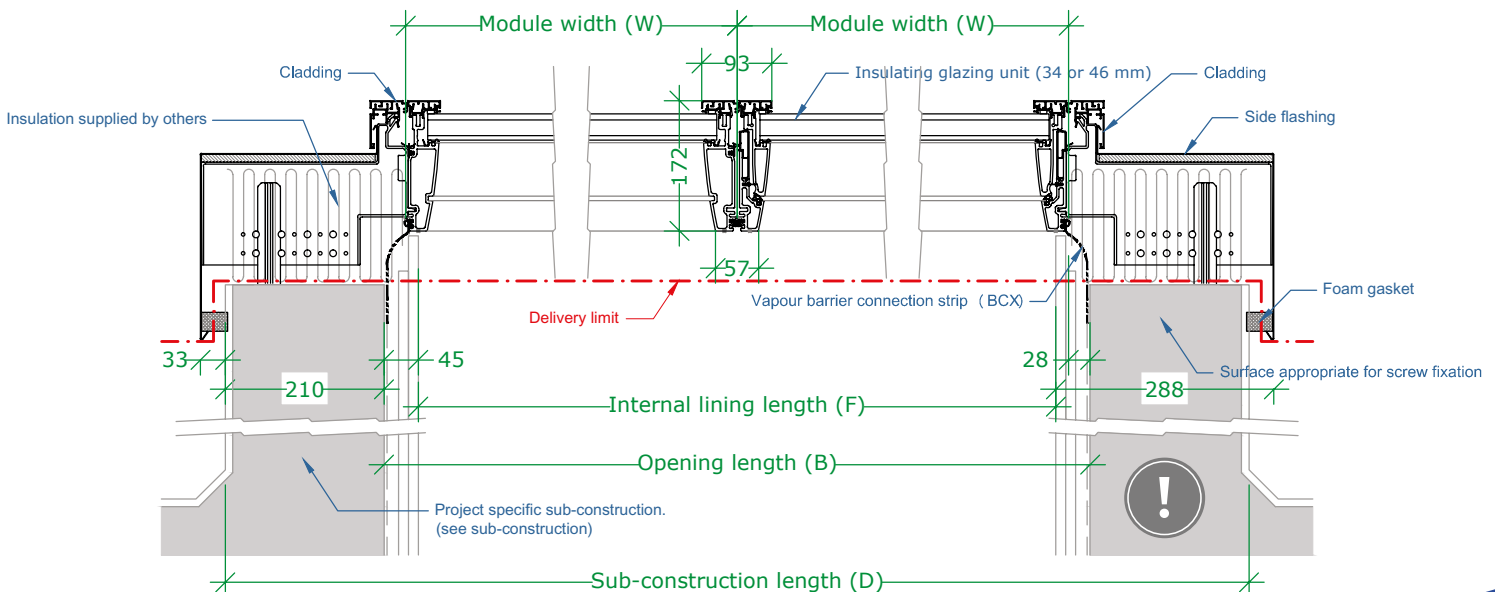
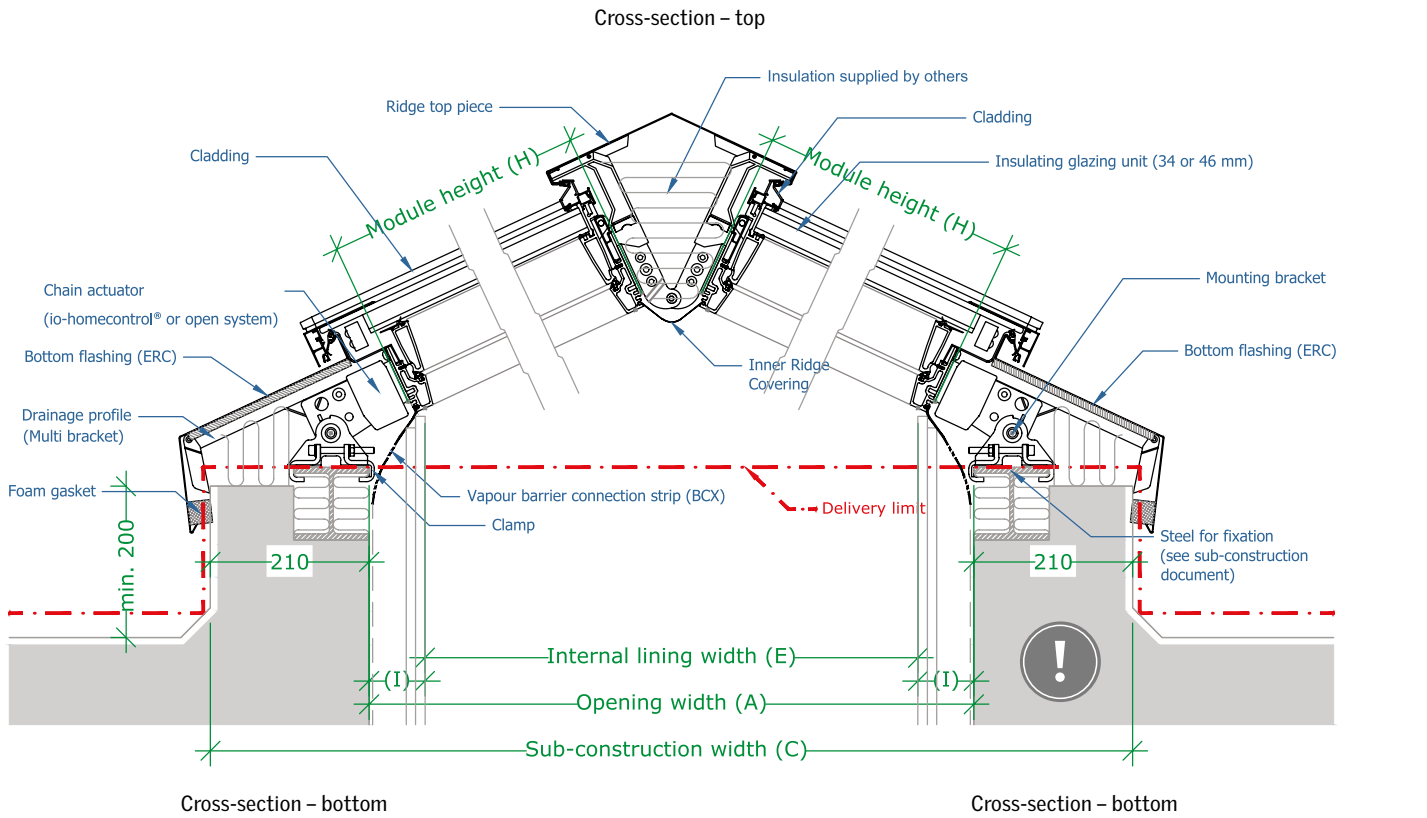


H: Module height
 α : Installation pitch
A: Opening width
B: Opening length





Sectional drawings



Please observe that a lateral slope on the modules is NOT possible, therefore top and bottom sub-construction must be horizontal.