

# Longlight 5-30°

TECHNISCHE FICHE

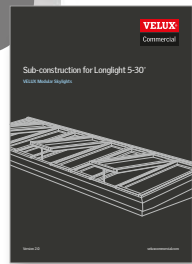
## Longlight 5-30°

Longlights are bands of VELUX Modular Skylights, supplied with installation brackets and clamps that guarantee a fast and secure installation. The prefabricated flashing allows for configurations with a pitch of 5 to 30°.

Longlights are mounted on a standard steel profile, 100 mm wide (not a VELUX component). The brackets are fixed with a clamping system holding the skylights in place. It is also possible to install the mounting brackets of a Longlight directly onto a wooden batten without using the clamps.



Download  
CAD & BIM  
objects

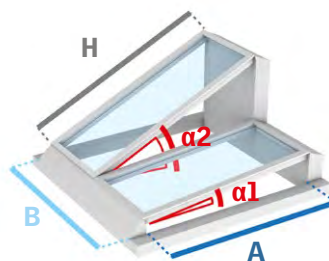


Sub-construction  
for Longlight at:  
[veluxcommercial.com](http://veluxcommercial.com)

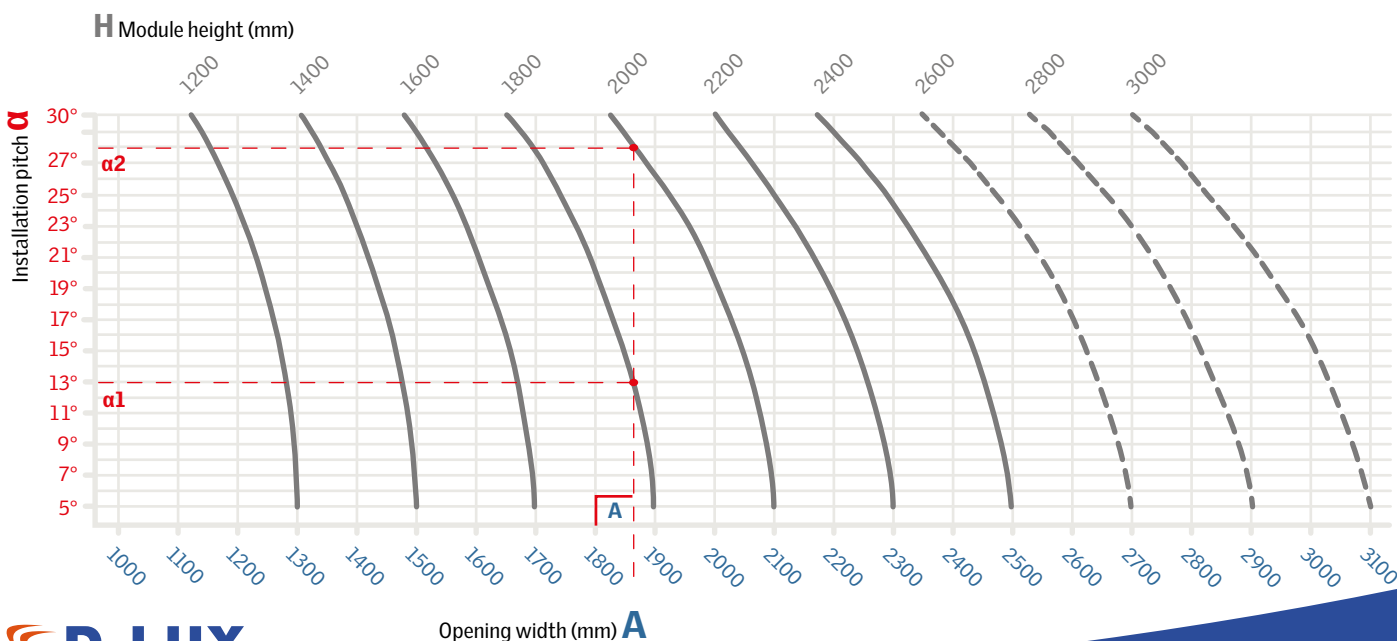
Use the table to define module height (H) and/or installation pitch ( $\alpha$ ).

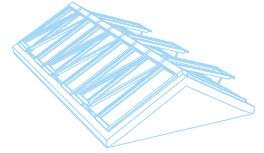
Example:  
A = 1875 mm

Result:  
 $\alpha 1$ : H = 1800 mm at an installation pitch of 13°  
or  
 $\alpha 2$ : H = 2000 mm at an installation pitch of 28°

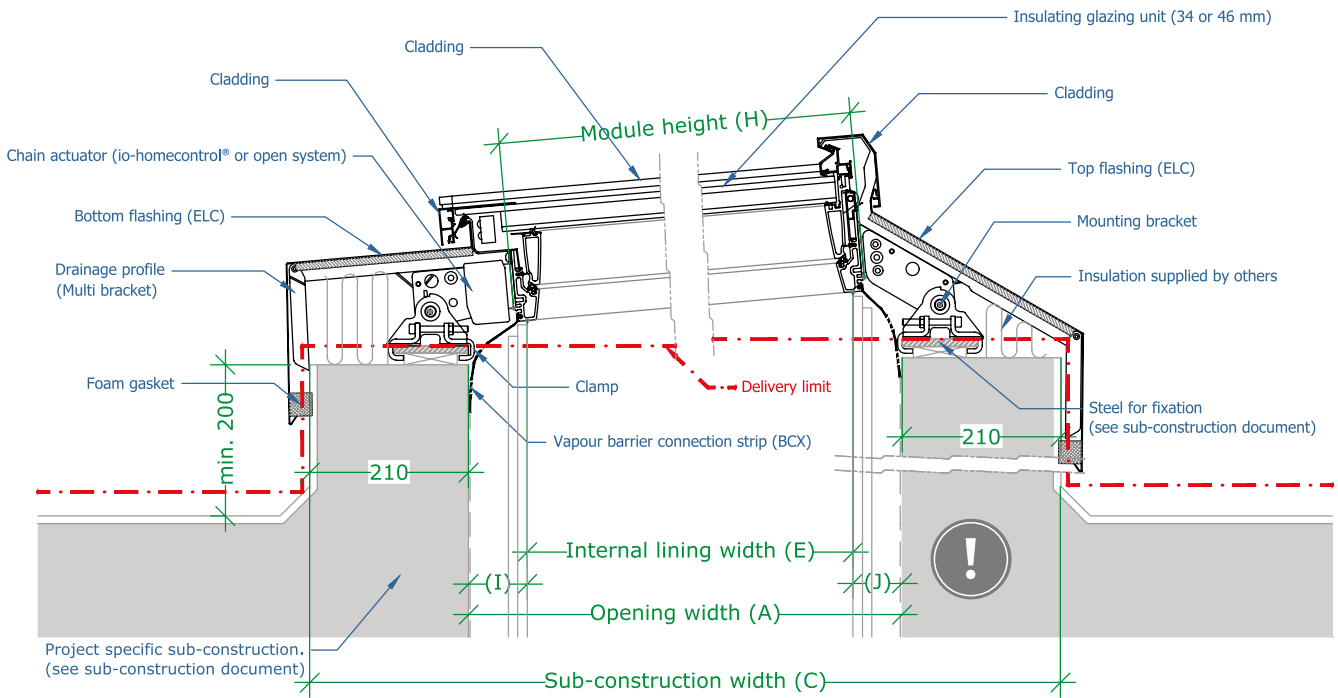


H: Module height  
 $\alpha$ : Installation pitch  
A: Opening width  
B: Opening length



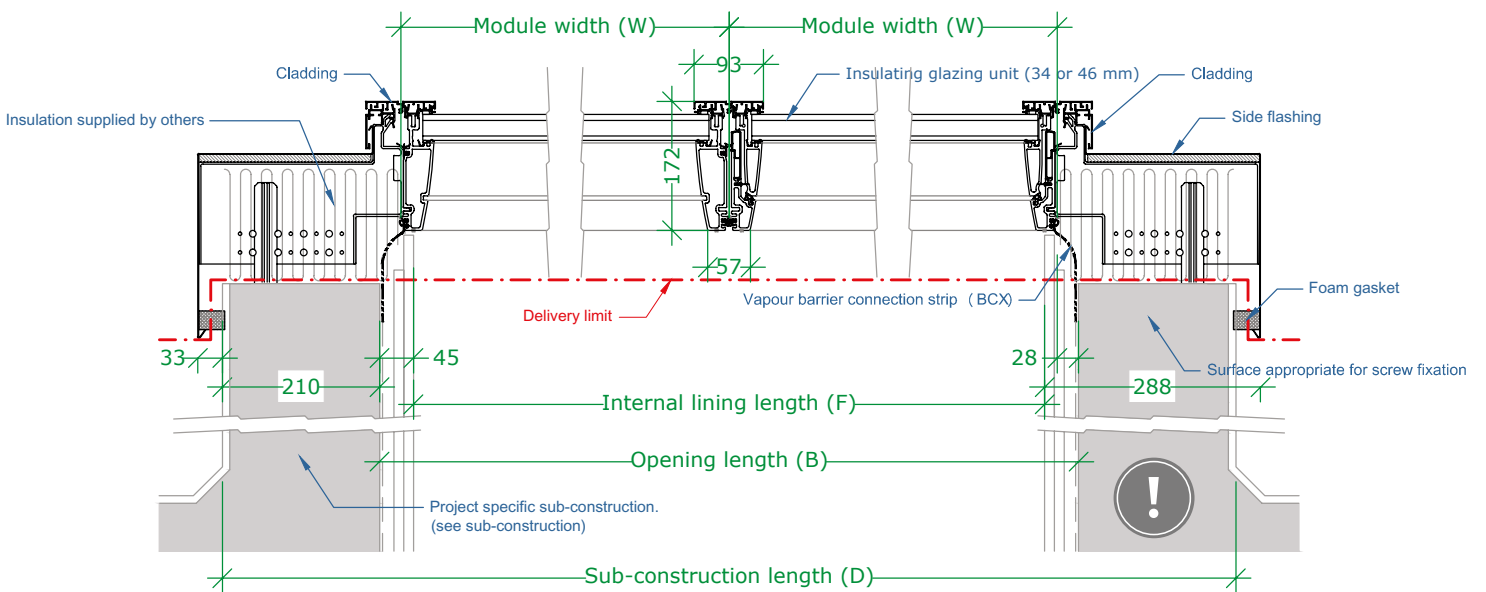


### Sectional drawings



Cross-section - bottom

Cross-section - top



Longitudinal section

Please observe that a lateral slope on the modules is NOT possible, therefore top and bottom sub-construction must be horizontal.